

Specifications & Consumer information

Dimensions	8-2
Engine	8-2
Bulb Wattage	8-3
Tires and Wheels	8-4
Volume and Weight.....	8-5
Air Conditioning System.....	8-5
Recommended Lubricants and Capacities.....	8-6
Recommended SAE Viscosity Number	8-7
Vehicle Identification Number (VIN)	8-8
Vehicle Certification Label.....	8-8
Tire Specification and Pressure Label.....	8-9
Engine Number	8-9

Specifications & Consumer information

DIMENSIONS

Items		mm (in)
Overall length		4,885 (192.3)
Overall width		1,865 (73.4)
Overall height		1,475 (58.1)
Front tread	205/65R16	1,614 (63.5)
	215/55R17	1,602 (63.1)
	235/45R18	1,597 (62.9)
Rear tread	205/65R16	1,621 (63.8)
	215/55R17	1,609 (63.3)
	235/45R18	1,609 (63.3)
Wheelbase		2,795 (110)

ENGINE

Items	1.6 T-GDI	2.0 T-GDI	2.4 GDI
Displacement cc (cu. in)	1,591 (97.09)	1,998 (121.92)	2,359 (143.96)
Bore x Stroke mm (in.)	77x85.4 (3.03x3.36)	86x86 (3.39x3.39)	88x97 (3.46x3.82)
Firing order	1-3-4-2	1-3-4-2	1-3-4-2
No. of cylinders	4, In-line	4, In-line	4, In-line

BULB WATTAGE

Light Bulb			Bulb Type	Wattage (W)	
Front	Headlamps	Type A	Low	9005L+	65
			High	9005HL+	65
		Type B	Low/High	D3S	35
	Turn signal lamps			PY28/8W	28
	Position lamps			LED	LED
	Daytime running lights			LED	LED
	Side repeater lamps			LED	LED
	Side marker lamps			W5W	5
Rear	Rear combination lamp	Type A (Bulb)	Stop/Tail lamps (Outside)	P28/8W	28/8
			Tail lamp	8W	8
		Type B (LED)	Stop/Tail lamps (Outside)	LED	LED
			Stop/Tail lamps (Inside)	LED	LED
		All	Turn signal lamps	PY27W	27
			Back up lamps	W16	16
	High mounted stop lamp			LED	LED
	License plate lamps			W5W	5
Interior	Luggage room lamp		Festoon	10	
	Map lamps	with sunroof	LED	LED	
		without sunroof	W10W	10	
	Room lamps	with sunroof	LED	LED	
		without sunroof	Festoon	10	
	Vanity mirror lamps		Festoon	10	

Specifications & Consumer information

TIRES AND WHEELS

Items	Tire Size	Wheel Size	Inflation pressure kPa (psi)				Wheel lug nut torque kg.m (lb.ft, N.m)
			Normal Load		Maximum Load		
			Front	Rear	Front	Rear	
Full size tire	205/65R16	6.5JX16	235 (34)	235 (34)	235 (34)	235 (34)	9~11 (65~79, 88~107)
	215/55R17	7.0JX17	235 (34)	235 (34)	235 (34)	235 (34)	
	235/45R18	7.5JX18	235 (34)	235 (34)	235 (34)	235 (34)	
Compact spare tire (if equipped)	T125/80D16	4.0TX16	420 (60)	420 (60)	420 (60)	420 (60)	
	T135/80D17	4.0TX17	420 (60)	420 (60)	420 (60)	420 (60)	

If your vehicle is not equipped with a compact spare tire, your vehicle will be equipped with a Tire Mobility Kit.

CAUTION

**When replacing tires, use the same size originally supplied with the vehicle.
Using tires of a different size can damage the related parts or not work properly.**

VOLUME AND WEIGHT

Items	1.6 T-GDI	2.0 T-GDI	2.4 GDI
Gross vehicle weight kg (lbs.)	1960 (4321)	2100 (4630)	2040 (4497)
Luggage volume l (cu ft)	462 (16.3)		

AIR CONDITIONING SYSTEM


Items	Weight of Volume	Classification
Refrigerant g (oz.)	1.6 T-GDI	R-134a
	2.0 T-GDI	
	2.4 GDI	
Compressor lubricant cc (oz.)	80±10 (2.82±0.35)	PAG (ND-OIL8)

Contact an authorized HYUNDAI dealer for more details.

Specifications & Consumer information

RECOMMENDED LUBRICANTS AND CAPACITIES

To help achieve proper engine and powertrain performance and durability, use only lubricants of the proper quality. The correct lubricants also help promote engine efficiency that results in improved fuel economy.

Lubricant		Volume	Classification
Engine oil *1 *2 (drain and refill) Recommends 	1.6 T-GDI	4.5 l (4.75 US qt.)	API Service SM* ³ or above / ILSAC GF-4 or above / ACEA A5 or above
	2.0 T-GDI	4.8 l (5.07 US qt.)	ACEA A5 or above
	2.4 GDI	4.8 l (5.07 US qt.)	API Service SM* ³ or above / ILSAC GF-4 or above / ACEA A5 or above
Automatic transmission fluid		7.1 l (7.50 US qt.)	MICHANG ATF SP-IV / SK ATF SP-IV / NOCA ATF SP-IV / HYUNDAI genuine ATF SP-IV
Coolant	1.6 T-GDI	7.1 l (7.50 US qt.)	Mixture of antifreeze and water (Ethylene glycol base coolant for aluminum radiator)
	2.0 T-GDI	7.5 l (7.92 US qt.)	
	2.4 GDI	7.2 l (7.60 US qt.)	
Brake fluid	0.7~0.8 l (0.7~0.8 US qt.)		FMVSS116 DOT-3 or DOT-4
Fuel	70 l (18.5 US gal.)		Unleaded gasoline

*1 Refer to the recommended SAE viscosity numbers on the next page.

*2 Engine oils labeled Energy Conserving Oil are now available. Along with other additional benefits, they contribute to fuel economy by reducing the amount of fuel necessary to overcome engine friction. Often, these improvements are difficult to measure in everyday driving, but in a year's time, they can offer significant cost and energy savings.

*3 If the API service SM engine oil is not available in your country, you are able to use API service SL.

Recommended SAE viscosity number

CAUTION

Always be sure to clean the area around any filler plug, drain plug, or dipstick before checking or draining any lubricant. This is especially important in dusty or sandy areas and when the vehicle is used on unpaved roads. Cleaning the plug and dipstick areas will prevent dirt and grit from entering the engine and other mechanisms that could be damaged.

Engine oil viscosity (thickness) has an effect on fuel economy and cold weather operating (engine start and engine oil flowability). Lower viscosity engine oils can provide better fuel economy and cold weather performance, however, higher viscosity engine oils are required for satisfactory lubrication in hot weather. Using oils of any viscosity other than those recommended could result in engine damage.

When choosing an oil, consider the range of temperature your vehicle will be operated in before the next oil change. Proceed to select the recommended oil viscosity from the chart.

		Temperature Range for SAE Viscosity Numbers								
Temperature	°C	-30	-20	-10	0	10	20	30	40	50
	(°F)	-10	0	20	40	60	80	100	120	
Engine Oil (1.6 T-GDI) *1		5W-30, 5W-40								
Engine Oil (2.0 T-GDI)		20W-50								
		15W-40								
		10W-30								
		5W-30, 5W-40								
Engine Oil (2.4 GDI) *2		10W-30								
		5W-20, 5W-30								

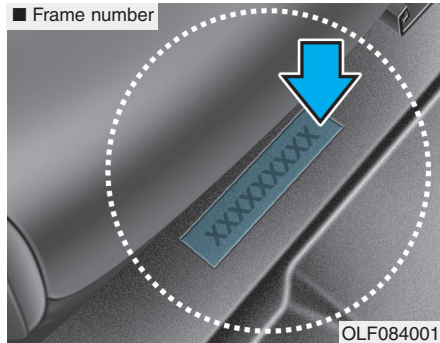
*1 For better fuel economy, it is recommended to use the engine oil of a viscosity grade 5W-30 (API SM / ILSAC GF-4 / ACEA A5 or above). However, if the engine oil is not available in your country, select the proper engine oil using the engine oil viscosity chart.

*2 For better fuel economy, it is recommended to use the engine oil of a viscosity grade SAE 5W-20 (API SM / ILSAC GF-4). However, if the engine oil is not available in your country, select the proper engine oil using the engine oil viscosity chart.



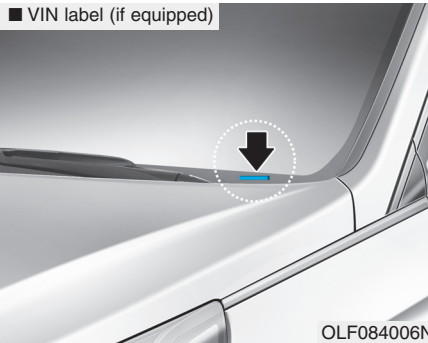
Specifications & Consumer information

VEHICLE IDENTIFICATION NUMBER (VIN)



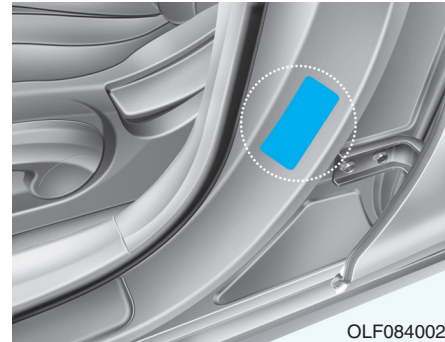
The vehicle identification number (VIN) is the number used in registering your car and in all legal matters pertaining to its ownership, etc.

The number is punched on the floor under the passenger seat. To check the number, open the cover.



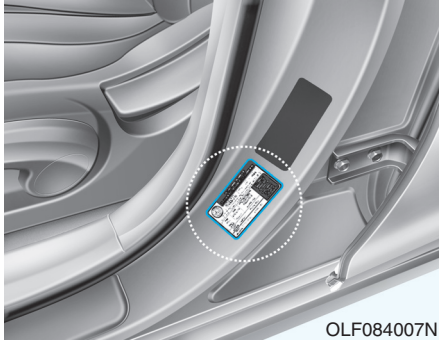
The VIN is also on a plate attached to the top of the dashboard. The number on the plate can easily be seen through the windshield from outside.

VEHICLE CERTIFICATION LABEL



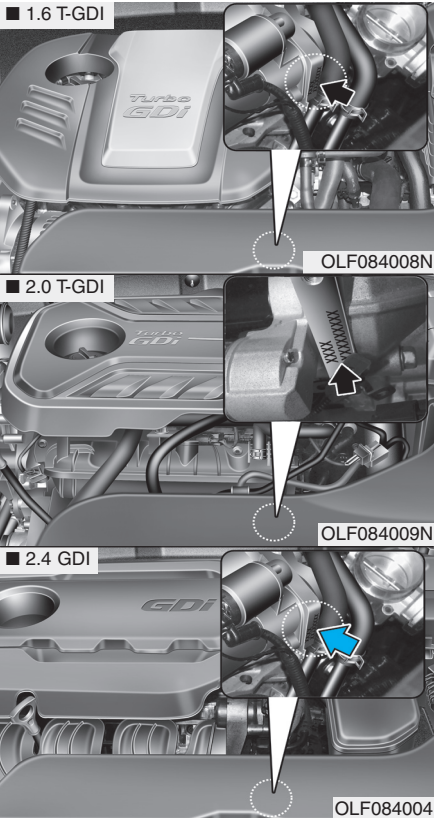
The vehicle certification label attached on the driver's side center pillar gives the Vehicle Identification Number (VIN).

TIRE SPECIFICATION AND PRESSURE LABEL



The tires supplied on your new vehicle are chosen to provide the best performance for normal driving. The tire label located on the driver's side center pillar gives the tire pressures recommended for your car.

ENGINE NUMBER



The engine number is stamped on the engine block as shown in the drawing.