

Specifications & Consumer information

Dimensions	8-2
Electric vehicle specifications.....	8-2
Bulb wattage	8-3
Tires and wheels	8-4
Tire load and speed capacity	8-5
Air conditioning system	8-5
Volume and weight	8-5
Recommended lubricants and capacities	8-6
Vehicle identification number (VIN)	8-7
Vehicle certification label.....	8-7
Tire specification and pressure label	8-8
Motor number.....	8-8
Air conditioner compressor label	8-8
Declaration of conformity	8-9

DIMENSIONS

Items	mm (in)
Overall length	4180 (164.6)
Overall width	1800 (70.9)
Overall height	1555 (61.2) / 1570 (61.8)**
Front tread	1564 (61.6)
Rear tread	1575 (62.0)
Wheelbase	2600 (102.4)

** : with roof rack

ELECTRIC VEHICLE SPECIFICATIONS

Items		Economy type	Extended type
Motor	Max. output	100 kW	150 kW
	Max. torque	395 Nm	395 Nm
Battery (Lithium-ion Polymer)	Capacity	39.2 kWh	64 kWh
	Power output	104 kW	170 kW
	Voltage	327 V	356 V
Charger (OBC)	Max. Output	7.2 kW	7.2 kW

OBC : On-Board Battery Chargers

BULB WATTAGE

Light bulb			Bulb type	Wattage	
Front	Type A	Headlamp	Low	H7	55
			High	H7	55
	Type B	Headlamp	Low/High	LED	LED
			Static lamp (Low beam assist)	H7	55
	Turn signal lamp			PY21W	21
	Daytime running light (DRL)/Position lamp			LED	LED
Side repeater lamp			LED	LED	
Rear	Type A	Tail/Stop lamp		P21W/5W	Tail: 5 / Stop: 21
		Tail lamp		W5W	5
	Type B	Tail/Stop lamp		LED	LED
		Turn signal lamp			PY21W
	Backup lamp			P21W	21
	Fog lamp			PR21W	21
	License plate lamp			W5W	5
	High mounted stop lamp			LED	LED
Interior	Map lamp		Type A	W10W	10
			Type B	LED	LED
	Room lamp		Type A	FESTOON	8
			Type B	LED	LED
	Vanity mirror lamp			FESTOON	5
	Glove box lamp			W5W	5
	Luggage compartment lamp		Type A	FESTOON	10
Type B			LED	LED	

TIRES AND WHEELS

Item	Tire size	Wheel size	Inflation pressure, bar (kPa, psi)				Wheel lug nut torque kgf·m (lbf·ft, N·m)
			Normal load *1		Maximum load		
			Front	Rear	Front	Rear	
Full size tire	215/55 R17	7.0J X 17	2.5 (250, 36)	2.5 (250, 36)	2.5 (250, 36)	2.5 (250, 36)	11~13 (79~94, 107~127)

*1: Normal load : Up to 3 persons

NOTICE

- It is permissible to add 20 kPa (3 psi) to the standard tire pressure specification if colder temperatures are expected soon. Tires typically lose 7 kPa (1 psi) for every 7°C (12°F) temperature drop. If extreme temperature variations are expected, recheck your tire pressure as necessary to keep them properly inflated.
- An air pressure generally decreases, as you drive up to a high-altitude area above sea level. Thus, if you plan to drive a high-altitude area, check the tire pressures in advance. If necessary, inflate them to a proper level (Air inflation per altitude: +10 kPa/1 km (+2.4 psi/1 mile)).

CAUTION

When replacing tires, use the same size originally supplied with the vehicle.
Using tires of a different size can damage the related parts or not work properly.

TIRE LOAD AND SPEED CAPACITY

Item	Tire size	Wheel size	Load capacity		Speed capacity	
			LI *1	kg	SS *2	km/h
Full size tire	215/55 R17	7.0J X 17	94	670	V	240

*1 LI : LOAD INDEX

*2 SS : SPEED SYMBOL

AIR CONDITIONING SYSTEM

Items		Weight of volume	Classification
Refrigerant g (oz.)	With standard climate control system	550 ±25 (19.4 ± 0.9)	R-1234yf
			R-134a
	With inner condenser	650 ± 25 (22.9 ± 0.9)	R-1234yf
			R-134a
	With heat pump	1000 ±25 (35.3 ± 0.9)	R-1234yf
			R-134a
Compressor lubricant	g (oz.)	180 ± 10 (6.34 ± 0.35)	POE

Contact an authorized HYUNDAI dealer for more details.

VOLUME AND WEIGHT

Gross vehicle weight		Luggage volume	
Economy type	Extended type	Min.	Max.
2020 kg (4453 lbs.)	2170 kg (4784 lbs.)	332 l (11.7 cu ft)	1114 l (39.3 cu ft)

Min : Behind rear seat to roof

Max : Behind front seat to roof

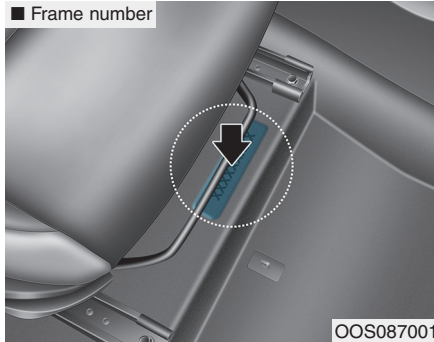
RECOMMENDED LUBRICANTS AND CAPACITIES

To help achieve proper vehicle performance and durability, use only lubricants of the proper quality. These lubricants and fluids are recommended for use in your vehicle.

Lubricant		Volume	Classification
Reduction gear fluid		1.0 ~ 1.1 l (1.0 ~ 1.1 US qt.)	70W, API GL-4, TCGO-9(MS517-14)
Coolant	Economical type	without heat pump	Mixture of antifreeze and water (Phosphate-based Ethylene glycol coolant for aluminum radiator)
		with heat pump	
	Extended type	without heat pump	
		with heat pump	
Brake fluid		0.7 ~ 0.8 l (0.74 ~ 0.85 US qt.)	FMVSS116 DOT-3 or DOT-4

VEHICLE IDENTIFICATION NUMBER (VIN)

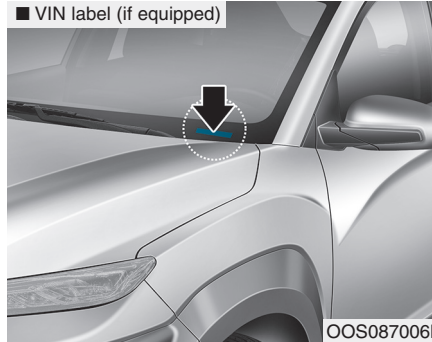
■ Frame number



The vehicle identification number (VIN) is the number used in registering your vehicle and in all legal matters pertaining to its ownership, etc.

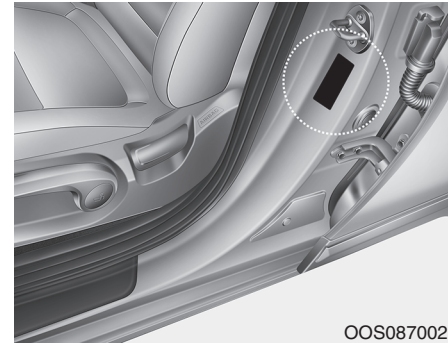
The number is punched on the floor under the passenger's (or driver's) seat. To check the number, open the cover.

■ VIN label (if equipped)



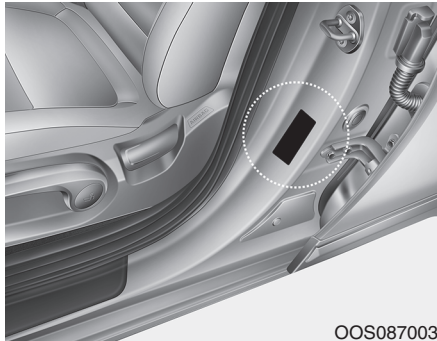
The VIN is also on a plate attached to the top of the dashboard. The number on the plate can easily be seen through the windshield from outside.

VEHICLE CERTIFICATION LABEL



The vehicle certification label attached on the driver's (or front passenger's) side center pillar gives the vehicle identification number (VIN).

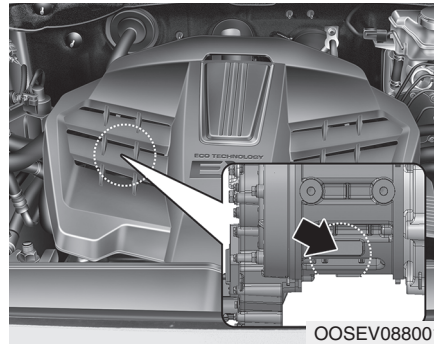
TIRE SPECIFICATION AND PRESSURE LABEL



The tires supplied on your new vehicle are chosen to provide the best performance for normal driving.

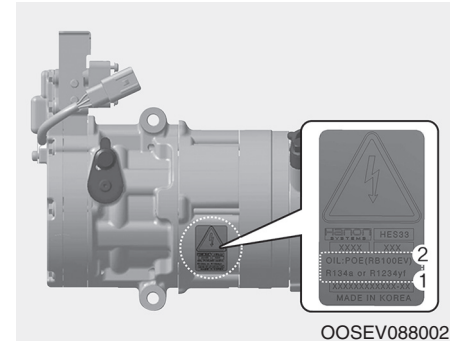
The tire label located on the driver's (or passenger's) side center pillar gives the tire pressures recommended for your vehicle.

MOTOR NUMBER



The motor number is stamped on the motor block as shown in the drawing. The motor number can be seen from under the vehicle.

AIR CONDITIONER COMPRESSOR LABEL



A compressor label informs you the type of compressor your vehicle is equipped with such as model, supplier part number, production number, refrigerant (1) and refrigerant oil (2).

DECLARATION OF CONFORMITY

■ Example

The image shows a CE mark followed by the certification code 'CE 0678'. The CE mark consists of two interlocking 'C' and 'E' characters. The code 'CE 0678' is printed in a bold, sans-serif font.

CE0678

The radio frequency components of the vehicle comply with requirements and other relevant provisions of Directive 1995/5/EC.

Further information including the manufacturer's declaration of conformity is available on HYUNDAI web site as follows:

<http://service.hyundai-motor.com>